

Application Circuit

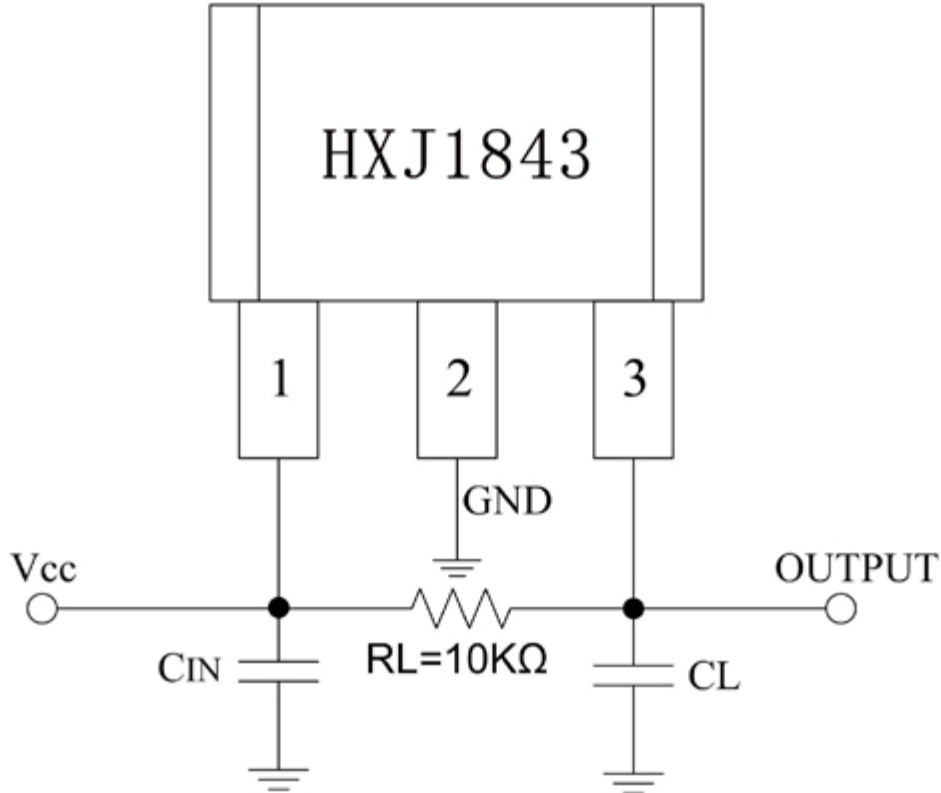


Figure 1, Application Circuit

Note: C_{IN} is for power stabilization and to strengthen the noise immunity, the recommended capacitance is 0.1~1uF. If the VCC power supply is clean, the C_{IN} can be cancelled.

Ordering Information

| Part Number | Package Type | Packing Qty | B _{OP} (Gauss) | B _{RP} (Gauss) | Temperature | Eco Plan | Lead |
|-------------|--------------|-------------|-------------------------|-------------------------|-------------|----------|------|
| HXJ1843DMF | SIP-3L | 1000pcs | 25(Typ.) | -25(Typ.) | -40~ 150°C | ROHS | Cu |

Block Diagram

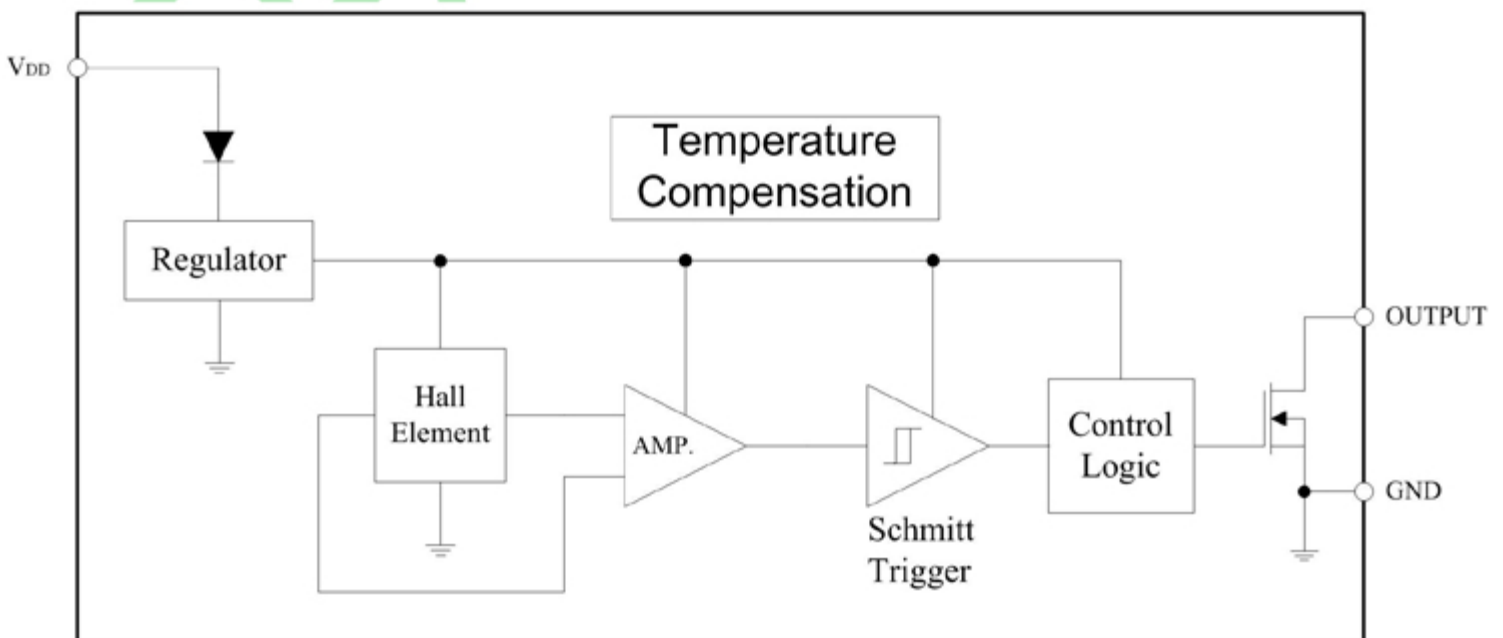


Figure 2, Block Diagram Of HXJ1843D