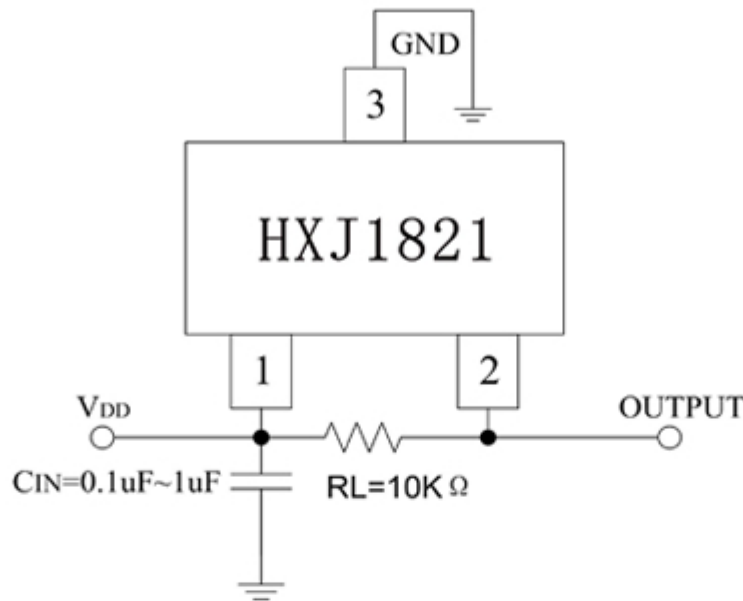


Application Circuit



Note: C_{IN} is for power stabilization and to strengthen the noise immunity, the recommended capacitance is 0.1~1uF.

Ordering Information

Part Number	PackageType	Packing Qty	B_{OP} (Gauss)	B_{RP} (Gauss)	Temperature	Eco Plan	Lead
HXJ1821WAE	SOT23-3L	3000pcs	-30(Typ.)	30(Typ.)	-40~+125°C	ROHS	Cu
HXJ1821NWAE	SOT23-3L	3000pcs	30(Typ.)	-30(Typ.)	-40~+125°C	ROHS	Cu

Block Diagram

