

Application Circuit

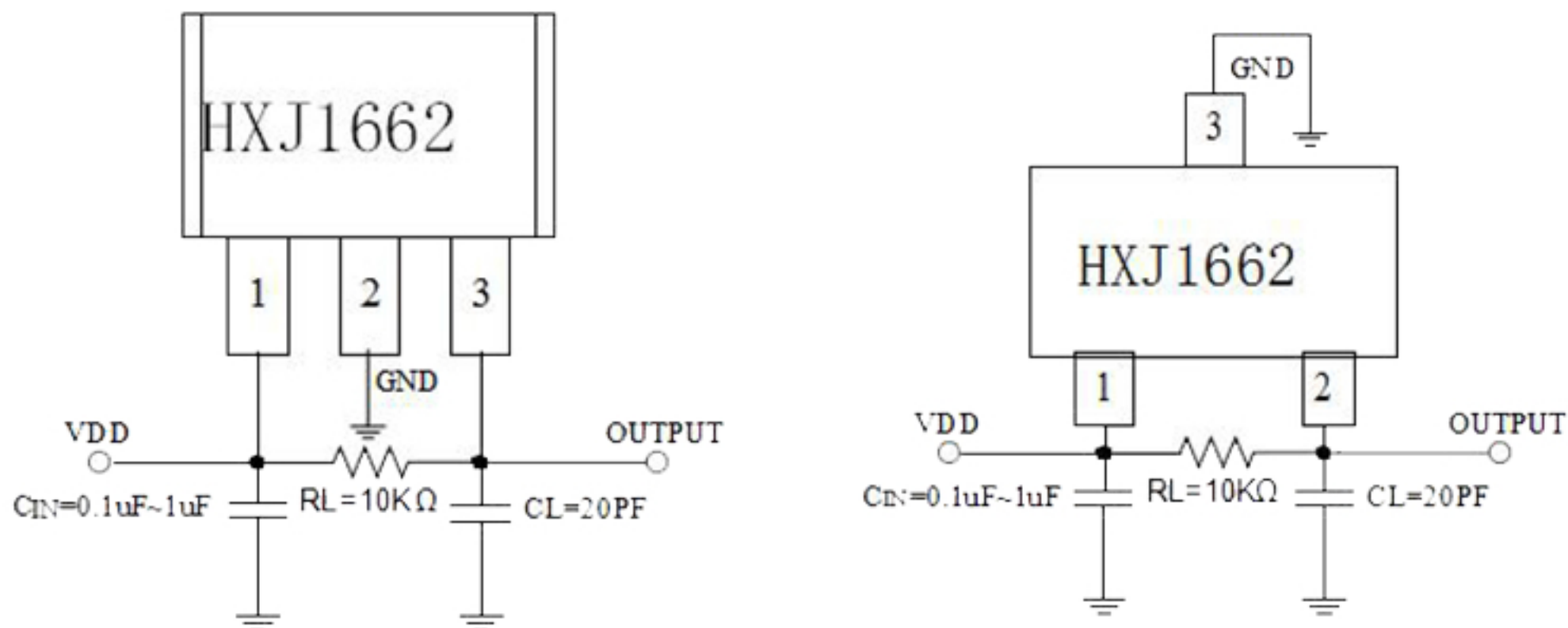


Figure 1, application circuit

Note: C_{IN} is for power stabilization and to strengthen the noise immunity, the recommended capacitance is $0.1 \sim 1\mu F$.