

Application Circuit:

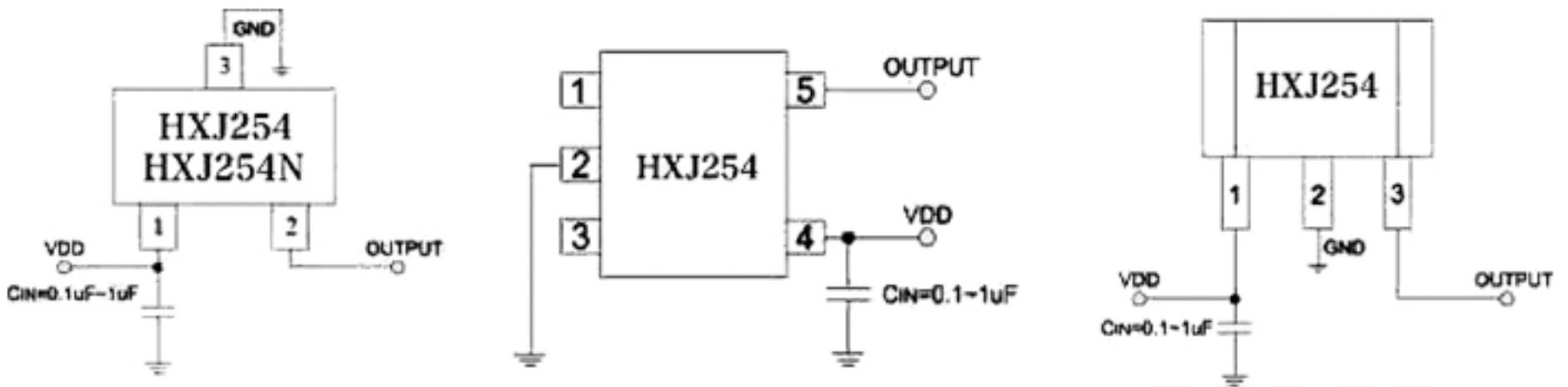


Figure 1, application circuit

Note: C_{IN} is for power stabilization and to strengthen the noise immunity, the recommended capacitance is 0.1~1uF.

Ordering Information:

Part Number	Package Type	Packing Qty	B_{OP} (Gauss)	B_{RP} (Gauss)	Temperature	Eco Plan	Lead
HXJ254WAD	SOT23-3L	3000pcs/Reel	30 (Typ.)	20 (Typ.)	-40~ +85° C	ROHS	Cu
HXJ254NWAD	SOT23-3L	3000pcs/Reel	-30 (Typ.)	-20 (Typ.)	-40~ +85° C	ROHS	Cu
HXJ254MD	SIP-3L	1000pcs/Bag	-30 (Typ.)	-20 (Typ.)	-40~ +85° C	ROHS	Cu
HXJ254STAD	SOT553	3000pcs/Bag	30 (Typ.)	20 (Typ.)	-40~ +85° C	ROHS	Cu

Block Diagram:

